



# News

Westwood Neighborhood  
www.neighborhoodlink.com/desmoines

## Happy New Year, Neighbors!

### Meet Your Westwood Neighbor



Westwood Neighbor

This section is reserved for future neighborhood association member interviews. The idea is to feature different westwood neighborhood residents in each issue. Someone may knock on your door in the near future to interview you about your hobbies, interests, family, recent successes, your line of work, etc. Whatever you may be willing to share.

### WESTWOOD UPCOMING SOCIAL EVENTS Greetings, Neighbors!

My name is Amy Zuck, the newly elected Social Committee Co-chair for the Westwood Neighborhood Association. My husband David and I moved on to 49th Street early in 2003 and welcomed our son, Brody, in August 2005. We love this neighborhood because of the wonderful mature trees, the proximity to downtown, access to the Rose Garden and Greenwood Park, and most especially our kind and welcoming neighbors.

**Winter Party—Des Moines Art Center.** We are excited to inform you of the annual Westwood Association Winter Party that is scheduled for Thursday, January 24th from 6:30 p.m. until 8:30 p.m. at the Des Moines Art Center. (A big “thank you” to Lisa LaVelle for her help organizing the food and locale). As usual there will be tasty munchies, a string quartet featuring local talent (thanks to Sandy Tatge), and a cash bar. Mark your calendars now for some fun and socializing with your neighbors. Remember to mention this event to any new neighbors or someone you would have liked to have seen last year at the event.



Winter Party—Des Moines Art Center 2007—photos by Jeanette McGreevy



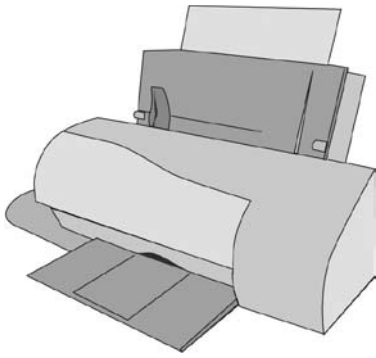
**Ice Skating Party—Brenton Skating Plaza.** A new family event is planned for Saturday, February 23, from 2:00 p.m. until 4 p.m. is ice skating at the Brenton Skating Plaza. This should be a fun activity to get the kids out of the house and cure cabin fever. What more fun on a winter Saturday than ice skating and some hot cocoa? The costs are as follows:

- Adult Admission..... \$3
- Children 12 & Under Admission ..... \$2
- Children 5 & Under Admission ..... FREE
- Skate Rental..... \$2.50

If you are interested in this event please let one of the Westwood Neighborhood Association board or committee members know so we can get an estimate of how many skaters we will have. The higher the numbers the bigger the discounts!

Dave Barzen and I hope you have a blessed New Year. Watch the newsletter for more exciting neighborhood events in 2008.

# WESTWOOD NEEDS YOUR HELP!



Did you know that over 400 million printer/ink cartridges are thrown away each year and it takes about a thousand years for them to break down in our sanitary landfills?

Please help Des Moines Neighbors, a coalition of all the Des Moines neighborhoods, by collecting your used ink jet and laser jet toner cartridges, along with old cell phones. The DSM Neighbors is paid for each cartridge and old cell phone turned in. You are helping support a non-profit group and making a positive impact on our environment at the same time.

Please bring these items to the next Westwood Neighborhood meeting for collection or drop your items off at the home of Sharon & John Murphy (leave them on the front porch). We will ensure they get to the Des Moines Neighbors office.

Sharon/John Murphy  
100 SW 52nd Street

## Westwood Advertisers Wanted

Get your business advertised in our quarterly newsletter. The newsletter is delivered to 460 households from 63rd to 44th Street, Grand Avenue and South.

Contact Rob denHartog at 210-4472 to learn more about advertising in the Westwood Neighborhood Association newsletter. For members, four quarterly newsletter advertisements cost only \$25 and \$50 per year for nonmembers.

## WNA-sponsored **Jazz** in July 2007



—photos by Jeanette McGreevy



## Westwood Neighborhood Association Members 2007-2008 (as of 12/1/2007)

Althoff, Angela  
Anderson, Marcus & Mary  
Aspengren, Mary Lou  
Babcock, Elizabeth  
Baker, Keith & Guthrie,  
Deborah  
Baldwin, Pat  
Bannister, Scott & Kathy  
Bardole, Linda  
Barron, Xavier & Kris  
Barzen, David & Kristy  
Bell, Jim & Barbara  
Berry, Greg & Maria  
Bookey, Harry & Pamela  
Brown, Peter & Lisa  
Burgeson, John & Colleen  
Burke, Bernie & Preusch,  
Stephanie  
Caldbeck, Bill & Diane  
Cary, Daniel & Tiffani  
Clemens, Jack & Maxine  
Clutter, Ryan & Sehgal, Vicki  
Connor, Bob & Shirley  
Cranberg, Gilbert & Norma  
Danois, Jean-Marc & Katie  
Davis, Ronald & Agnes  
DeBord, Dave & Sutton, Kris  
Demirjyn, Angela  
den Hartog, Rob & Brenda  
Currans  
Downing, Wen & Joyce  
Erbstein, Lou & Lois  
Faber, Vern & Nancy  
Fleming, Jim & Allison  
Fox, Cynthia  
Galeazzi, Dennis & Nancy  
Galenbeck, Scott & Treloar,  
Leann  
Gottschalk, Mary  
Hearn, Jack  
Heggen, Bill & Lynn

Heiken, Thomas & Vicki  
Howard, Steve & Kay  
Huber, Rory & Marti  
Iowa Assn. of School Boards  
Johnson, Kathy  
Kahl, Andy & Roy, Peg  
Keene, Sheila  
Keller, Mike & Maruca, Rick  
Keller  
Kelley, Enosh & Rachel  
Kenworthy, John & Lisa  
Kisch, Tom & Hutcheson,  
Margo  
Kneile, Bob & Ruth  
Kobes, Joe & Jo  
Kramer, Randy  
Krantz, Mary  
Jean LemMon  
Linebaugh, Jesse & Melissa  
Lonning, Craig & Judy  
Marquardt, Steve & Sara  
McGreevy, Jeanette

McKinney, Alissa  
Meehan, Judy  
Melton, Mark  
Michelson, Brent & Ann  
Murphy, John & Sharon  
Murphy, Kathy  
Nesbit, John & Ann  
Olson, Gretchen  
Ovrom, Paul & Stephenie  
Parrish, Stephen & Carla  
Peterson, Mike & Margaret  
Pomerantz, Marvin & Rose Lee  
Rabinowitz, Sheldon &  
Roselind  
Rask, Rick & Lilley, LaRayne  
Ray, Robert & Billie  
Reece, Mark & Barb  
Ricker, Ron & Kathleen  
Rosenberg, Harlan & Audrey  
Rosenberg, Steven & Tracy  
Sammon, Brad & Jenny  
Satterstrom, Bill & Ginny

Schroeder, Diane  
Scott, Fred & Brette  
Shadur, Craig & Kimberly  
Shiffler, Bryan & Lyn  
Strief, Charles & Peggy  
Tatge, Bob & Sandy  
Taylor, Dawn  
Tiffany, Bill & Maureen  
VanderWeerd, Adam &  
Christine  
VanHon, Tom  
Walsh, Phil & Sharon  
Weitenhagen, Dean  
Wieland, John & Denise  
Williams, Ted & Nancy  
Windsor, Stephanie  
Wolnerman, Michael & Missy  
Young, Joe & Linda  
Zisko, Tom & Goplerud, Dena  
Zuck, Dave & Amy

### Westwood Neighborhood Board Members

**President:** Brad Sammon

**Vice President:** Joe Kobes

**Secretary:** Thomas Kisch

**Treasurer:** Vicki Heiken

**Des Moines Neighbors Liaison:** Sharon Murphy

**Immediate Past President/Social Committee Co-Chair:** David Barzen

**Social Committee Co-Chair:** Amy Zuck

**Neighborhood Beautification Committee Chair:** Barbara Bell

**Publicity Committee & Newsletter Editor Chair:** Jeanette McGreevy



*Newsletter Design/Print Specialist: Pam Johannes, Great Prairie Area Education Agency*



**Want to know what happened at the last Westwood meeting?**

**Want to know where your dues money is going?**

**Want to know what's happening in your neighborhood?**

Then you should visit our website at [www.neighborhoodlink.com/desmoines](http://www.neighborhoodlink.com/desmoines).

Westwood Neighborhood Association Meeting  
Tuesday, November 20, 2007  
Hanawalt School

Your Westwood Membership Dollars Support Community Efforts!  
Westwood Neighborhood Association needs more members to support its community efforts:

- \$25 per household
- \$15 per individual
- \$50 per business

Your voluntary dues help WNA provide the following:

- \* The WNA quarterly newsletter
- \* The Art Center Winter Party each January
- \* The Ice Cream Social each summer

Hopefully, WNA can also sponsor Jazz in July again in 2008—your membership dues can help! Please join WNA! Your voluntary membership supports our efforts. Rob denHartog, Membership Chair

## Many Thanks to the Westwood Neighborhood Captains!

*(They deliver the quarterly WNA newsletter to your door.)*



- Bill and Ginny Satterstrom – 49th St.
- Joe and Jo Kobes – N. 51st St.
- Phil and Sharon Walsh – S. 51st St.
- Jim and Barbara Bell – N. 52nd St.
- Bill and Lynn Heggen – Robertson Dr.
- Jim and Allison Fleming – S. 52nd St.
- John and Colleen Burgeson – Welker
- Dean Weitenhagen – 56th St.
- Tom Kisch and Margo Hutchison – 58th St.
- Tom and Dena Zisko – 58th Pl.
- Sheila Keene – 59th St.
- Rory and Marti Huber – 44th St.
- Matt and Kellie Ulrich – Grand Ave.
- Dennis and Cheryl Pederson - 56th

## Cares & Concerns

*...because keeping others in your thoughts and prayers requires personal involvement in their lives.*

This section will report both happy and sad news.

Westwood Association Members may submit information about births, anniversaries, illnesses or deaths.

# Westwood Neighborhood Association Membership Form

Name: \_\_\_\_\_

Address: \_\_\_\_\_

Phone: \_\_\_\_\_

E-mail: \_\_\_\_\_



- \_\_\_\_\_ \$25 Family / Household annually (July thru June)
- \_\_\_\_\_ \$15 Single annually (July thru June)
- \_\_\_\_\_ \$50 Business (July thru June)

Please make check payable to: Westwood Neighborhood Association  
Mail to: Vicki Heiken, 327 49th Street, Des Moines, IA 50312

