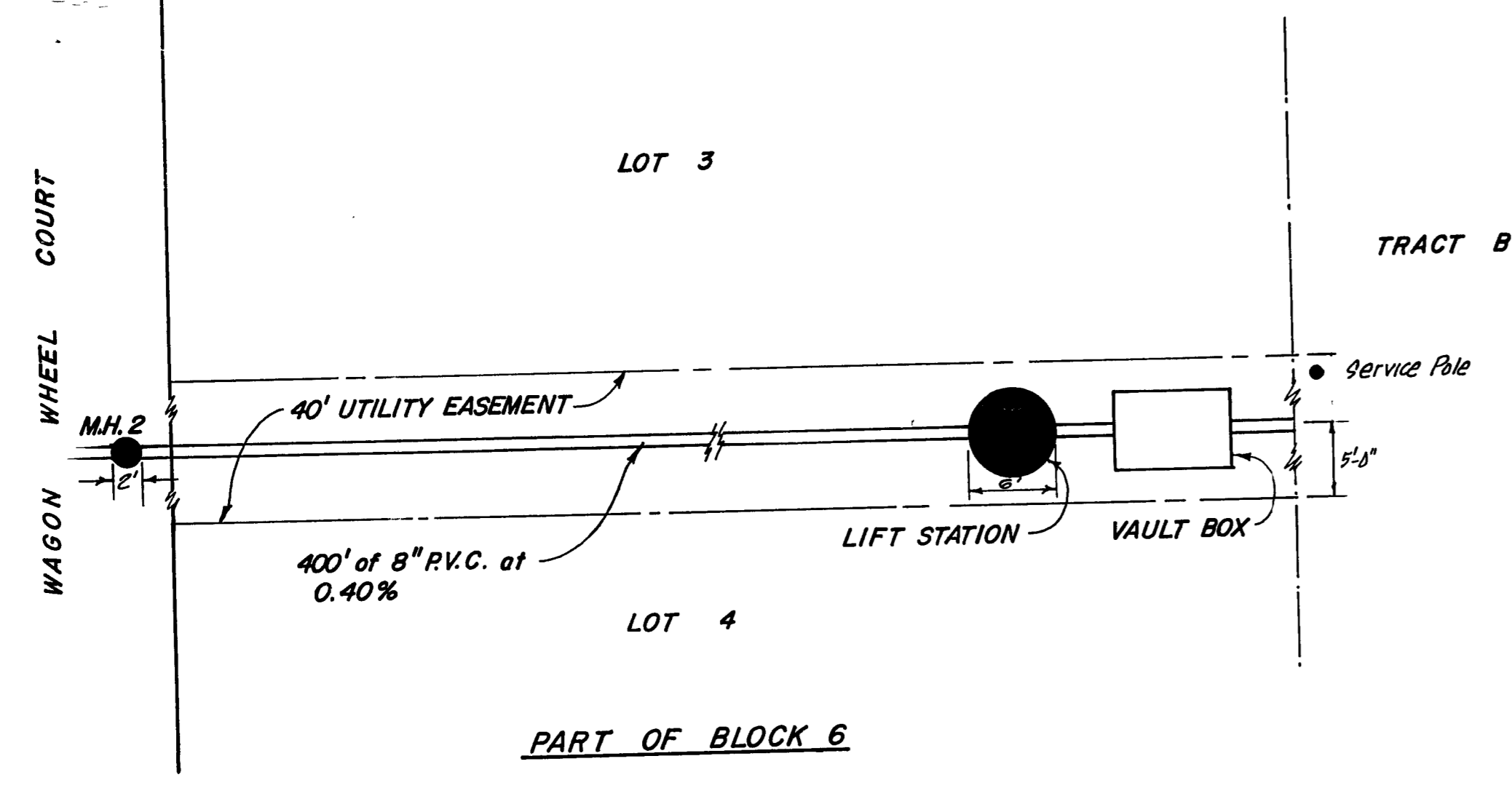
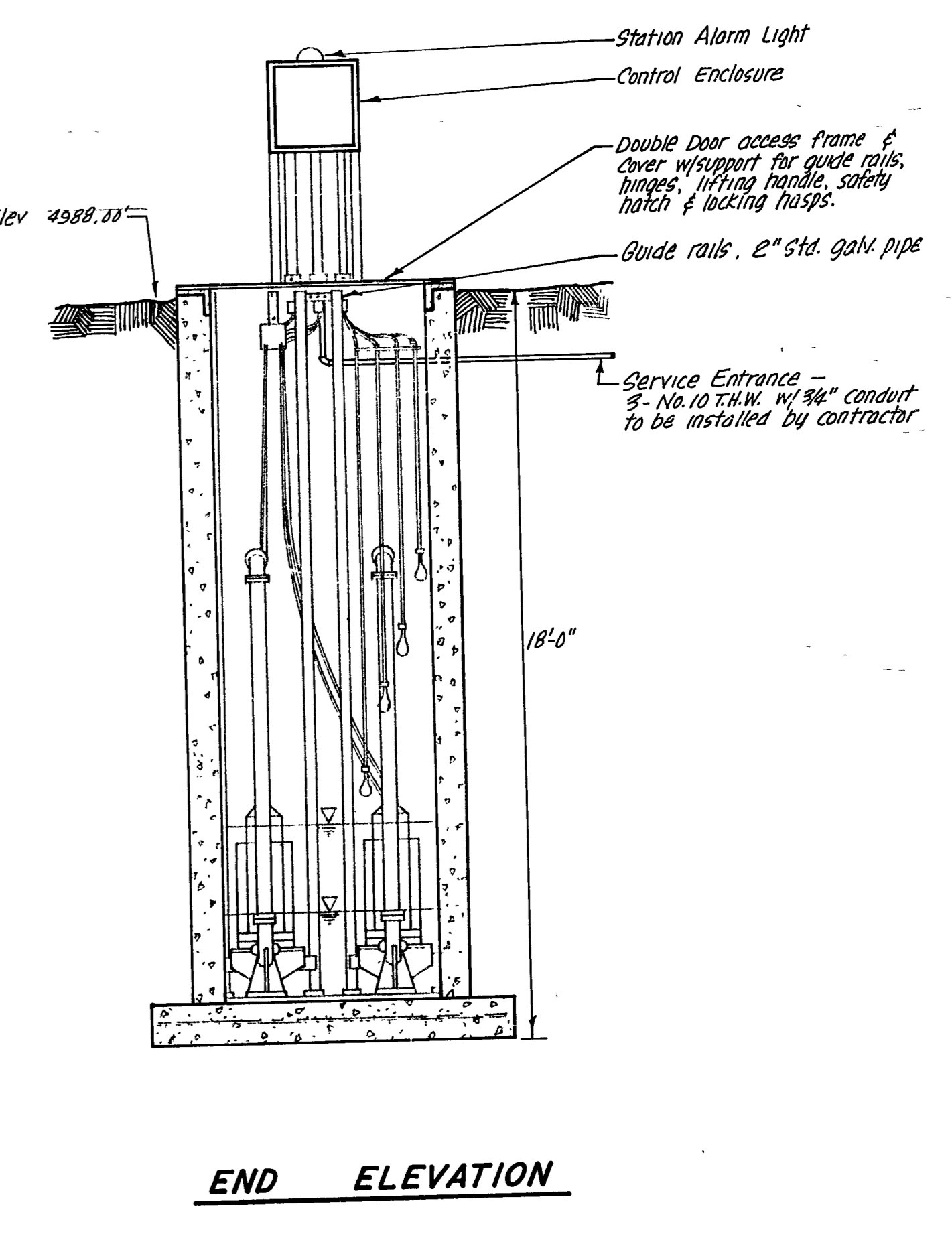
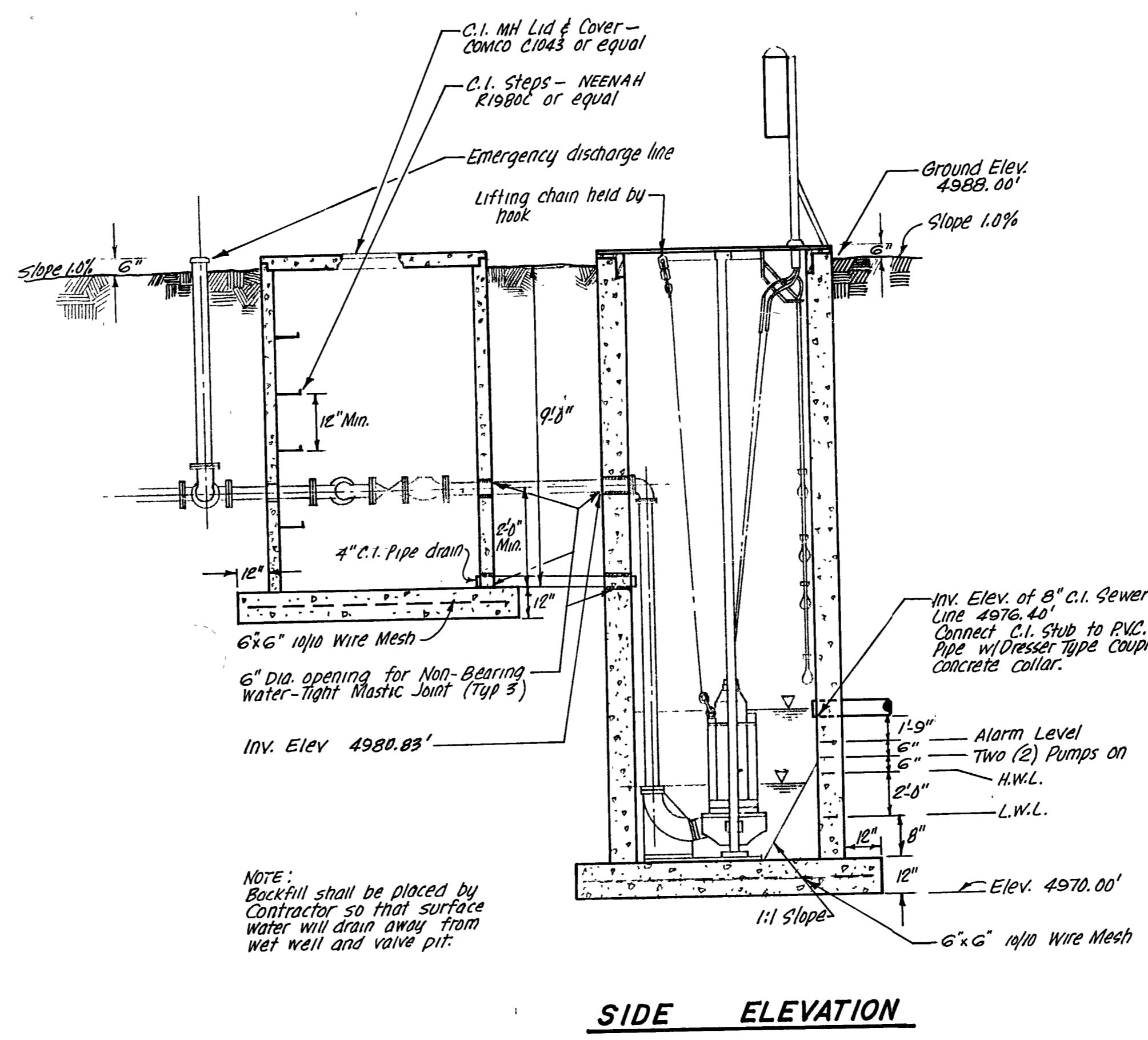
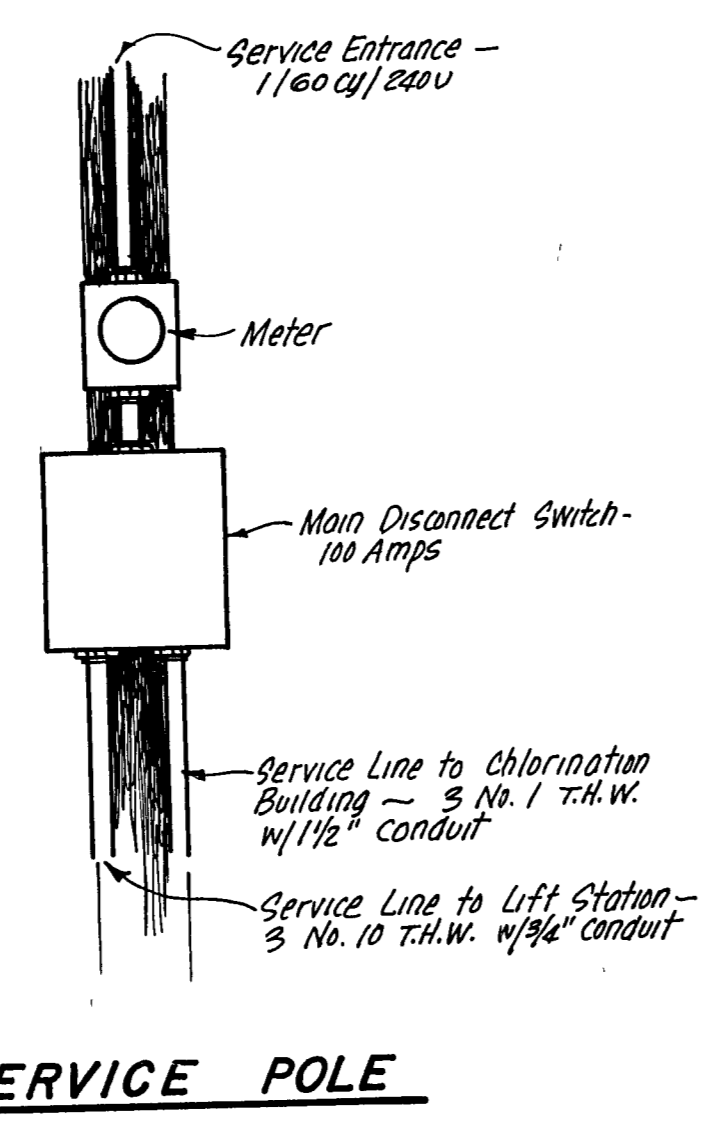
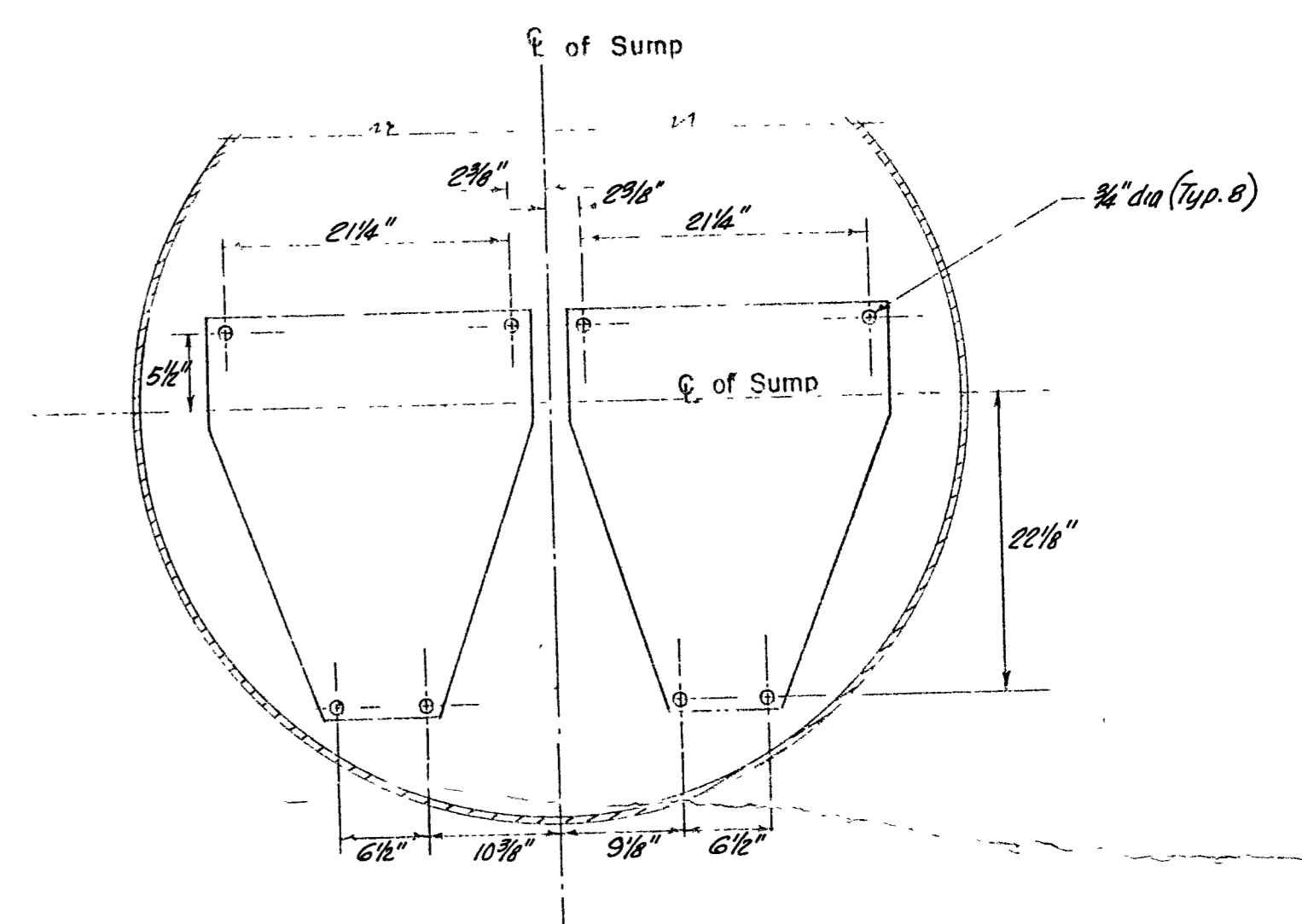
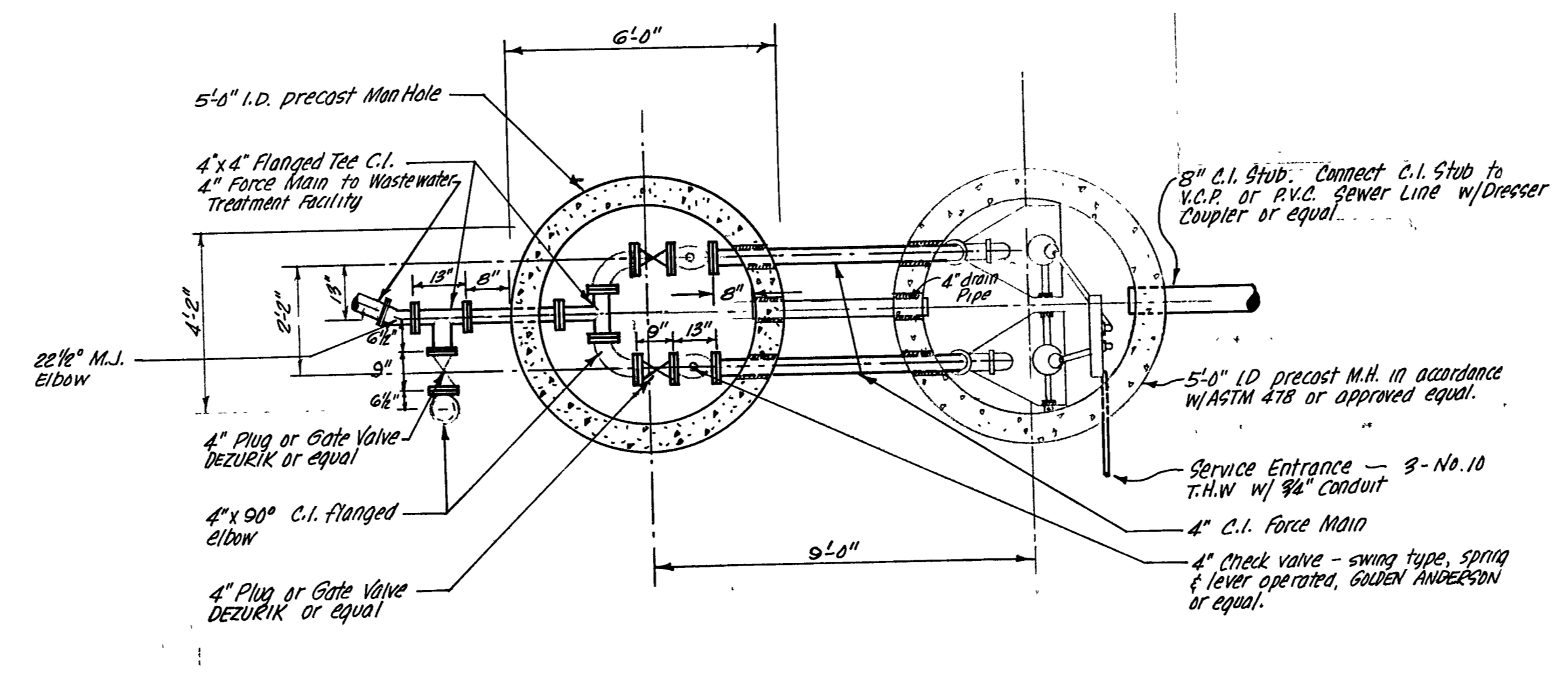
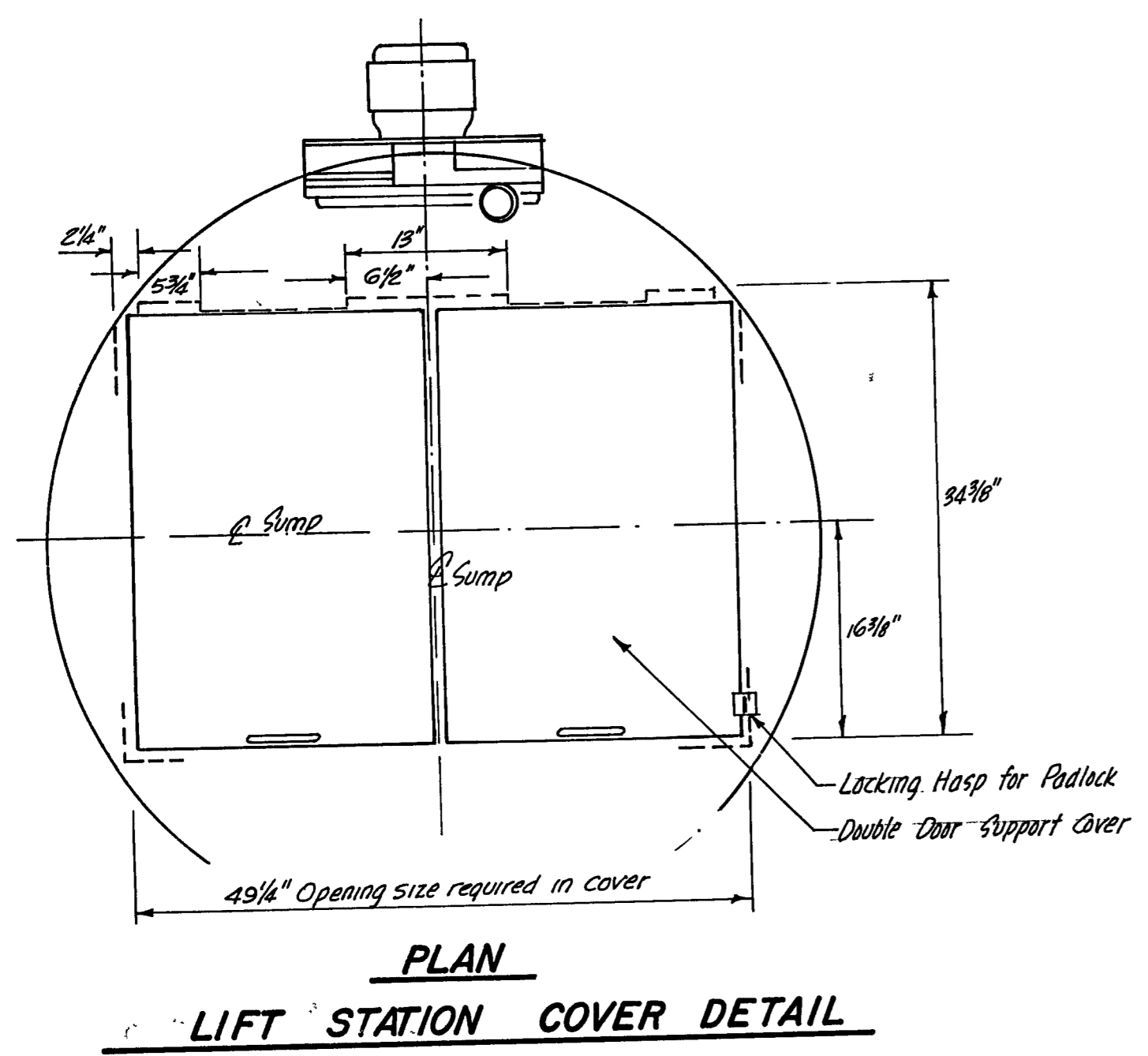


NOTE:
 Force Main may be
 1. Mechanical joint or push-on joint centrifugally cast C.I.P. Class 150, not less than thickness Class 22 for 1840 iron strength, conforming to ANSI A21.6, A21.11 & A21.1.
 Force Main Pipe shall be coated inside & outside with Bituminous Coating, or
 2. Type I, Grade I, P.V.C. in accordance with ASTM Specifications D1784, ASTM D2241 & ASTM D3034, SDR 35.
 Pipe & Fittings shall be made from clean, virgin Type I, Grade I P.V.C. & shall bear the National Sanitation Foundation (NSF) Seal of Approval.
 Pipe shall be a minimum class 160.

NOTES:
 1. Submersible Pumps - Hydro-Matic Model 9L10 AD, 1 H.P., 1150 RPM, 8.0 Amps, 1/60cy/230v or equal, complete w/guide rails, cover, valves, piping, hoist, & control enclosure. Pumps shall meet the following conditions: 80 G.P.M. @ 18.00 T.D.H.
 2. Motors shall not exceed fifteen (15%) percent overload under any combination of volume of flow & head the pump can produce.
 3. Main Power Line to Lift Station, 240V single phase.
 4. All electrical work shall be in compliance with the N.E.C.
 5. A minimum of 5 sets of Shop Drawings shall be submitted to the Engineer. Any installation without approved Shop Drawings shall be subject to rejection.
 6. Install Running Time Meters within the control enclosure for both Submersible Pumps. Meters to measure hours of operation up to 99,999.9 Hours. Meters to be consolidated Electric or equal.



NOTE:
 Backfill shall be placed by Contractor so that surface water will drain away from wet well and valve pit.

REVISIONS BY _____ DATE _____ DESCRIPTION _____ BY _____ DATE _____ DESCRIPTION _____ BY _____ DATE _____ DESCRIPTION _____		DATE <u>NOVEMBER 1974</u> DRAWN <u>R.E.H.</u> CHECKED _____ SCALE <u>NO SCALE</u> APPROVED <u>W.G.H.</u>	HOGAN AND OLHAUSEN P.C. CONSULTING ENGINEERS LOVELAND COLORADO	CLIENT: <u>GLENVIEW COURT, INC.</u>	TITLE: <u>LIFT STATION DETAILS</u>	JOB NO. <u>62-1-11</u> FILE NO. _____ F.B. NO. _____	NO. OF SHEETS <u>5</u>	SHEET NO. <u>5</u>
--	--	--	--	-------------------------------------	------------------------------------	--	------------------------	--------------------