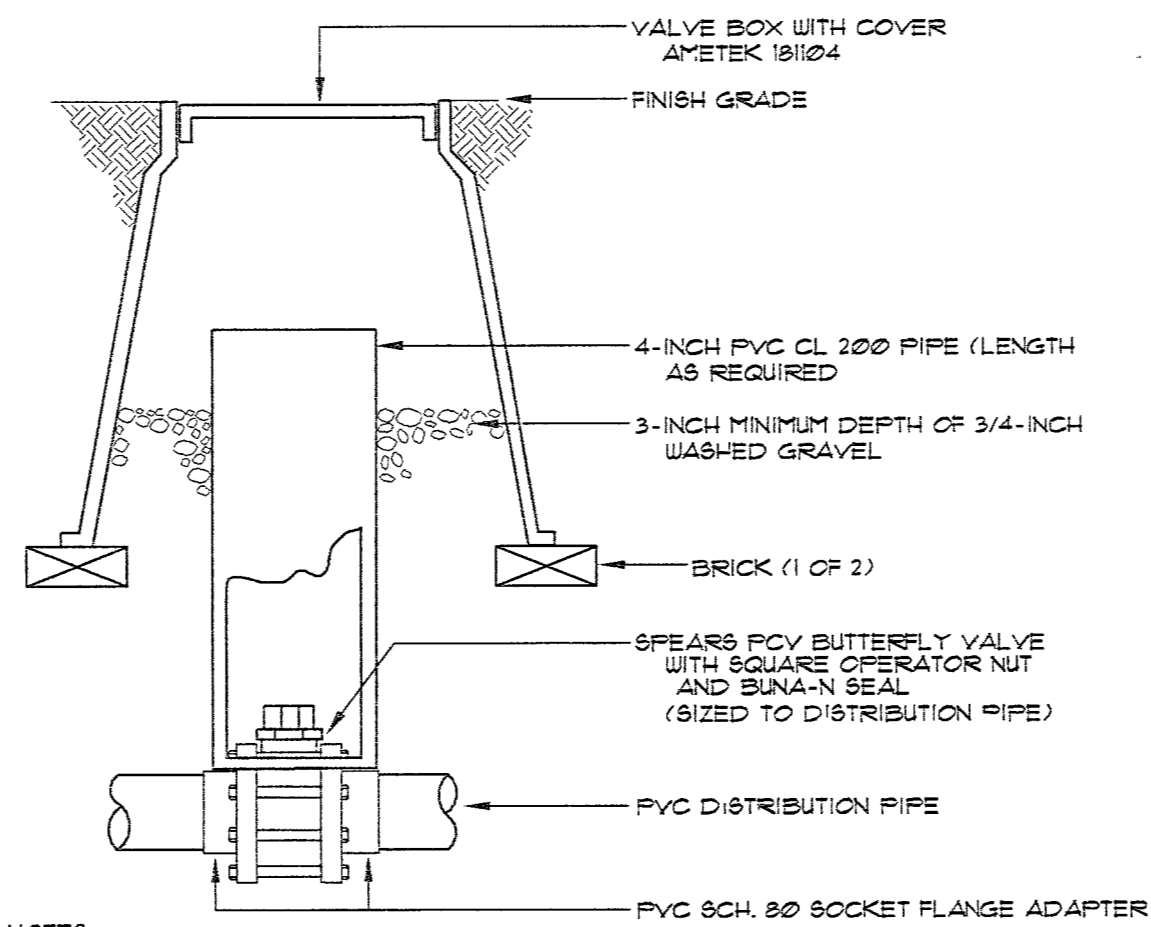


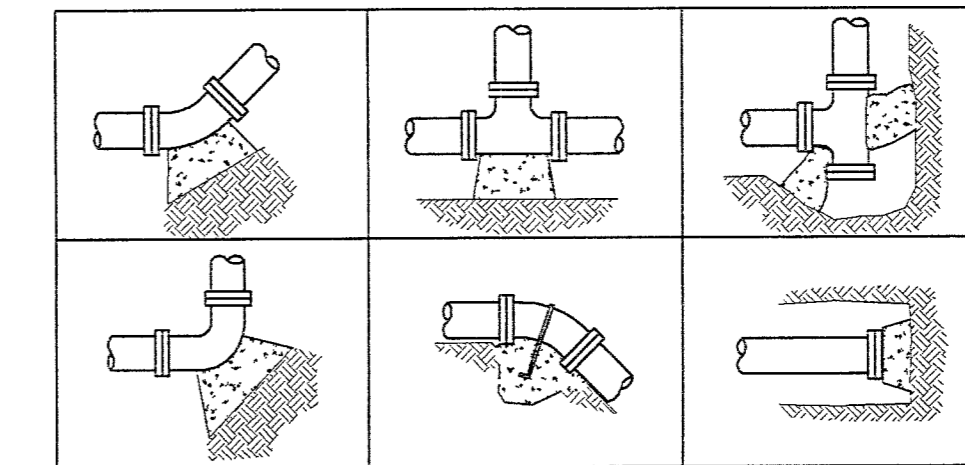
- NOTES:
1. DRESSER FITTING SHALL BE INSTALLED ON CLEAN, SMOOTH, PIPE THAT IS FREE OF SURFACE IMPERFECTIONS.
 2. INSTALL PER MANUFACTURER'S SPECIFICATIONS USING MANUFACTURER SUPPLIED GASKETS FOR STEEL AND PVC PIPE.
 3. COMPRESS FITTING TO MANUFACTURER'S SPECIFICATIONS.

1 DRESSER STYLE COUPLING ASSEMBLY



- NOTES:
1. NOMINAL SIZE OF VALVE TO MATCH NOMINAL DISTRIBUTION PIPE SIZE.
 2. USE BOLTS, GASKETS AND REQUIRED BOLT TORQUE AS SPECIFIED BY THE MANUFACTURER.

2 ISOLATION BUTTERFLY VALVE ASSEMBLY

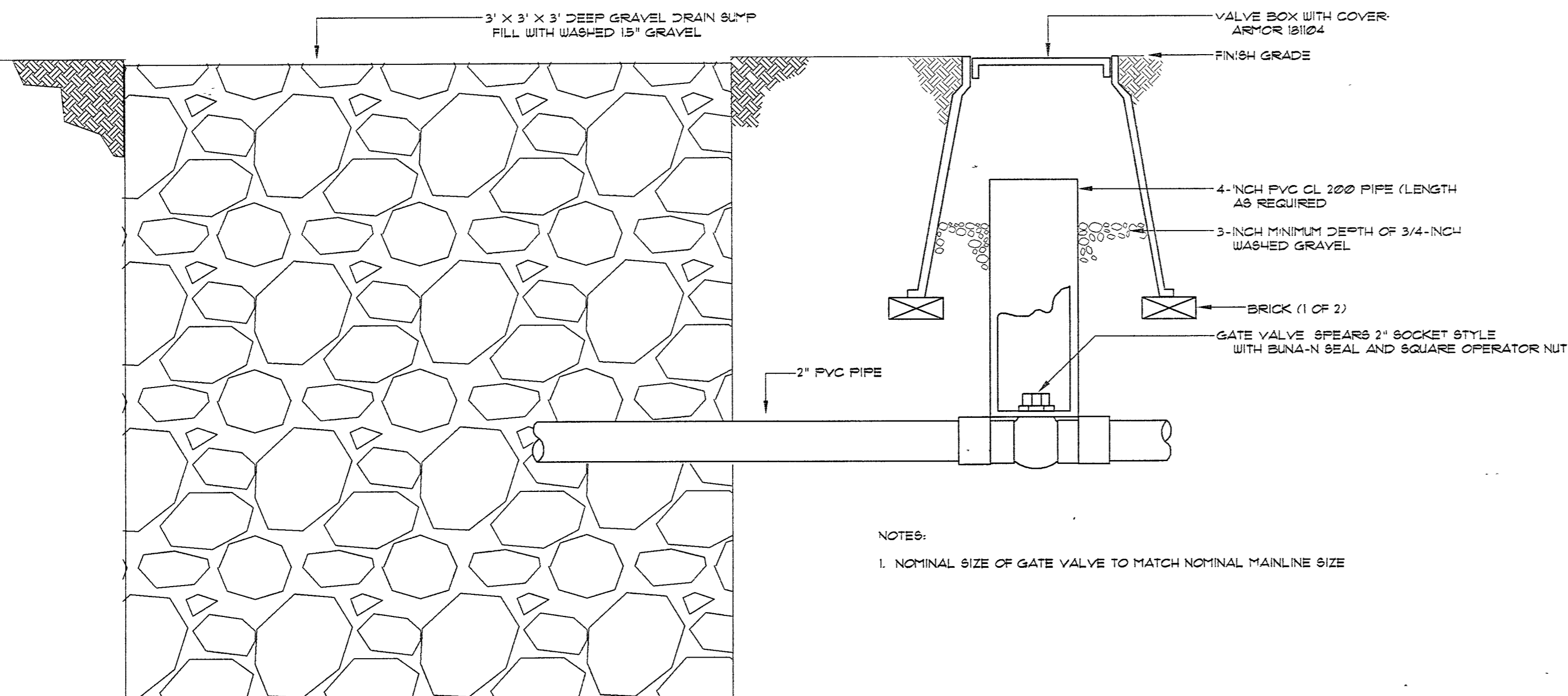


THRUST BLOCK SURFACE AREA AGAINST UNDISTURBED SOIL (SF)

PIPE SIZE	BENDS			TEE OR DEAD END
	22-1/2'	45'	90'	
6"	1.1	2.2	4.0	2.8
8"	1.8	3.6	6.5	4.7
10"	2.9	5.7	10.5	7.5
12"	4	7.8	14.5	10.2

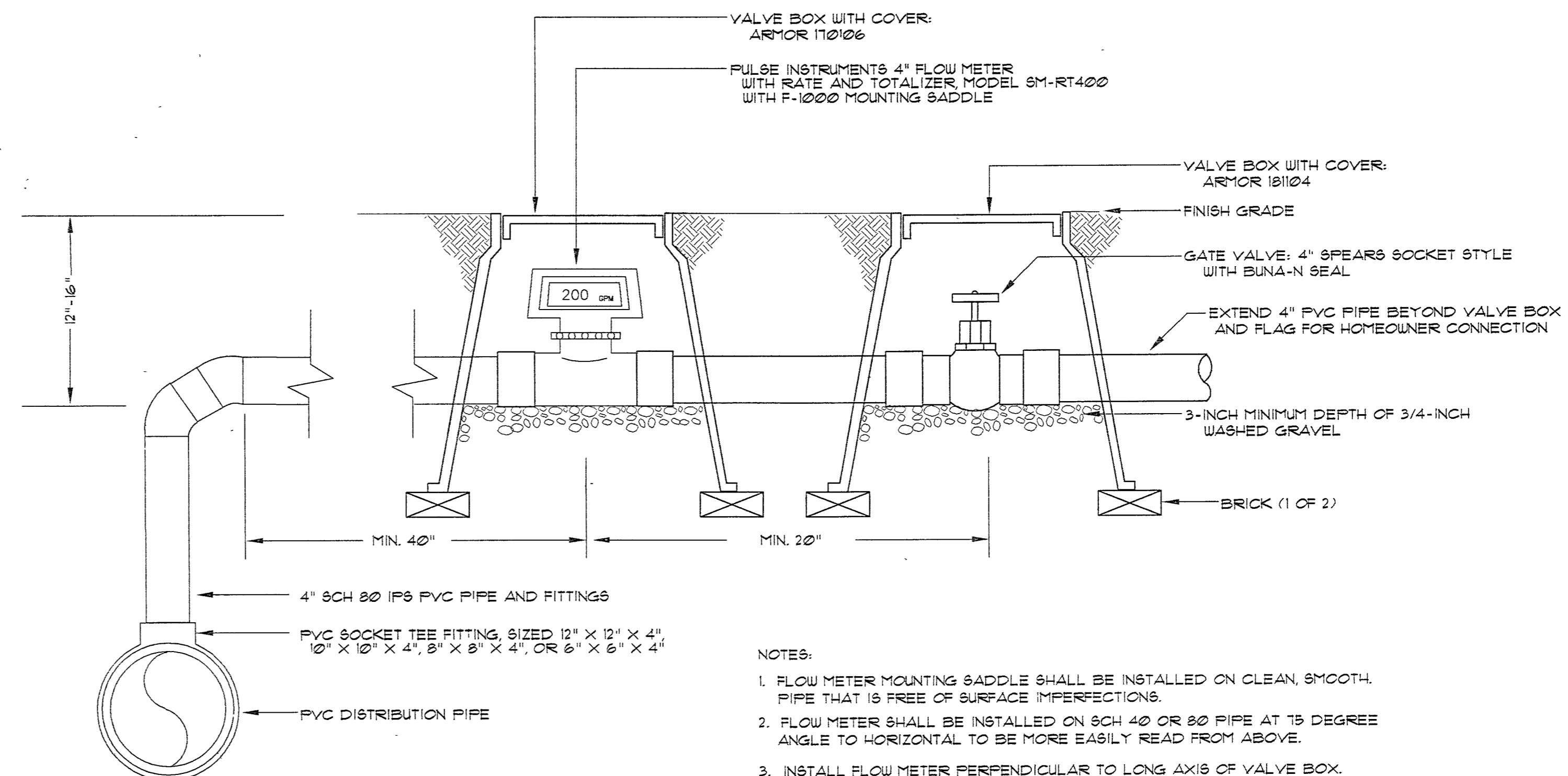
- NOTES:
1. USE NO. 4 REBAR WITH MASTIC COATINGS WHERE PIPE MUST BE ANCHORED TO THRUST BLOCK.
 2. INSTALL THRUST BLOCK SO THE HORIZONTAL AND VERTICAL DIMENSIONS OF THE THRUST BLOCK ARE APPROXIMATELY EQUAL.

3 TRENCHING DETAIL



- NOTES:
1. NOMINAL SIZE OF GATE VALVE TO MATCH NOMINAL MAINLINE SIZE

4 DRAIN VALVE ASSEMBLY



- NOTES:
1. FLOW METER MOUNTING SADDLE SHALL BE INSTALLED ON CLEAN, SMOOTH, PIPE THAT IS FREE OF SURFACE IMPERFECTIONS.
 2. FLOW METER SHALL BE INSTALLED ON SCH 40 OR 80 PIPE AT 75 DEGREE ANGLE TO HORIZONTAL TO BE MORE EASILY READ FROM ABOVE.
 3. INSTALL FLOW METER PERPENDICULAR TO LONG AXIS OF VALVE BOX.

5 4-INCH HOMEOWNER CONNECTION ASSEMBLY

NOT TO SCALE

No.	Revisions.	Date

HINES IRRIGATION CONSULTANTS, INC.
 SYSTEM DESIGN AND WATER MANAGEMENT SERVICES
 344 E. FOOTHILLS PARKWAY, SUITE 1-10
 FORT COLLINS, COLORADO 80525
 Telephone: 970.204.9245
 Fax: 970.226.4662

RIVER GLEN HOA
 IRRIGATION HYDRAULIC DESIGN
 DETAIL SHEET

Designed By: EWP
 Drawn By: EWP
 Checked By: RHS
 Date: 11/12/04
 Sheet No. HM3 OF 3

HM3