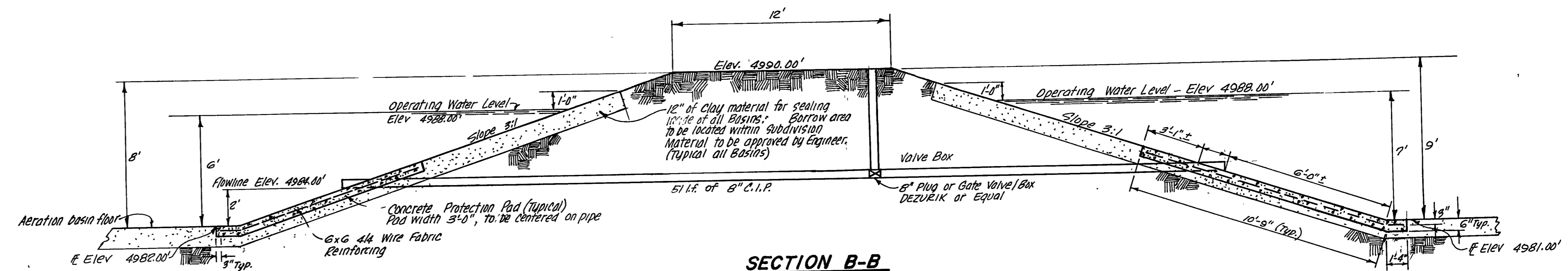
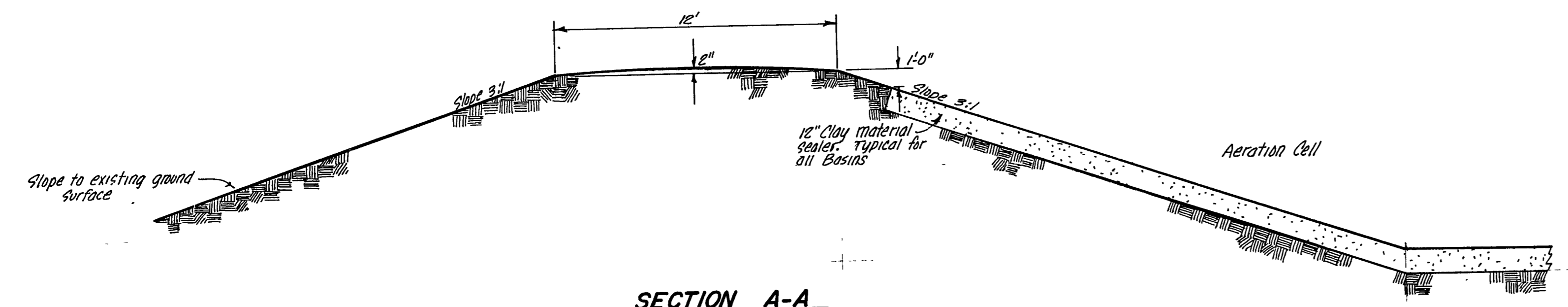


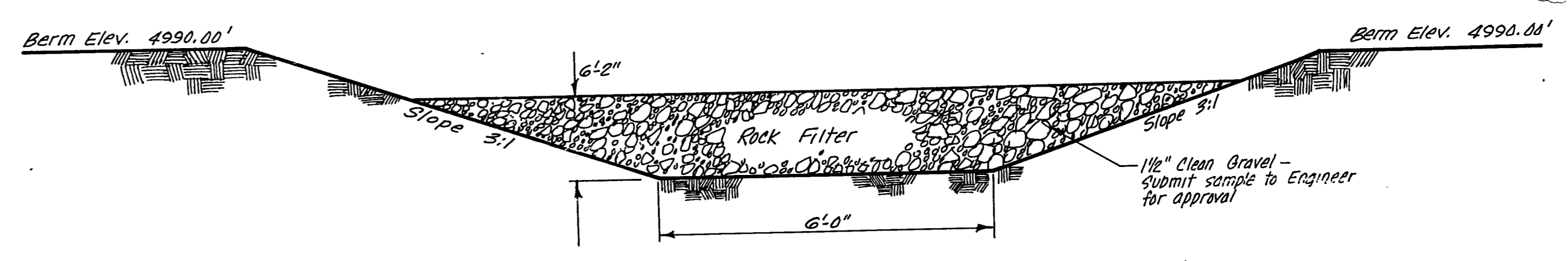
DETAIL C
MOORING CAISSON
NO SCALE



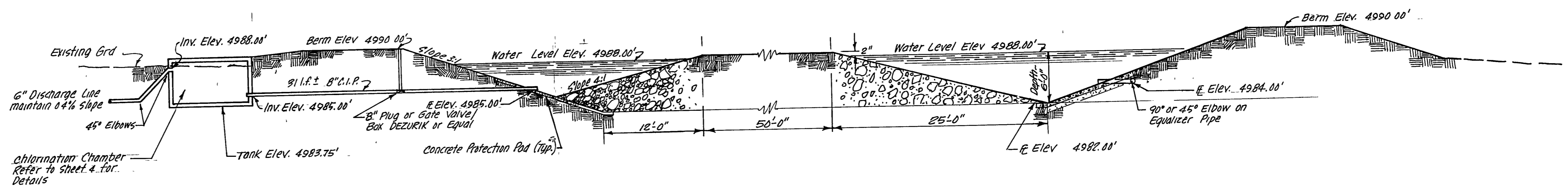
SECTION B-B
EQUALIZER PIPE BETWEEN AERATION BASINS
SCALE: 1/4" = 1'-0"



SECTION A-A
TYPICAL PERIMETER BERM SECTION
SCALE: 1/4" = 1'-0"



SECTION C-C
ROCK FILTER
NO SCALE



SECTION D-D
ROCK FILTER
SCALE: 1/8" = 1'-0"

REVISIONS BY _____ DATE _____ DESCRIPTION _____ BY _____ DATE _____ DESCRIPTION _____ BY _____ DATE _____ DESCRIPTION _____		DATE NOVEMBER 1974 DRAWN R.F.H. CHECKED _____ SCALE As Noted APPROVED M.G.H.	HOGAN AND OLHAUSEN P.C. CONSULTING ENGINEERS LOVELAND COLORADO	CLIENT: GLENVIEW COURT INC.	TITLE: SETTLING BASIN AND ROCK FILTER DETAILS	JOB NO. 62-1-11 FILE NO. _____ F.B. NO. _____	NO. OF SHEETS 5	SHEET NO. 3
--	--	--	---	------------------------------------	--	--	---------------------------	-----------------------